

EN

DIGITAL TIME SWITCH

Menu-driven programming - Backlit display

Daily or Weekly model - 1 channel or 2 channels model

Series: V002



PE - DEIONN096 (EN) 05/23



ENGLISH

Instruction for
installation
and use

Dear Customer, thank you for choosing our product.

ENGLISH

Contents

INFORMATION AND SAFETY

PRECAUTIONS	pag. 3
1- Description of the unit	pag. 4
1.1) Functional characteristics	pag. 4
1.2) First battery insertion	pag. 5
1.2.1) Low battery signal	pag. 5
1.2.2) Replacing the battery	pag. 5
1.3) Technical specifications	pag. 6
1.4) Electrical connections	pag. 6
1.5) Display	pag. 7
1.6) Keys	pag. 7
1.6.1) Specific key functions	pag. 8
1.6.2) Shortcut keys	pag. 8
1.6.3) Reset	pag. 8
2 - First start-up	pag. 9
3 - Menu and programming	pag. 10
3.1) Menu - overview	pag. 10
3.2) Forcing and program priority	pag. 11
3.3) Example of programs	pag. 11
4- «PROG» menu (Programs)	pag. 12
4.1) Creating a new time program	pag. 12

4.1.2.a) Realization of a program with duration beyond midnight	pag. 14
4.2) Program memory full warning	pag. 14
4.3) Visualizing or modifying an TIME program, already saved	pag. 14
5 - «HOLIDAY» program menu	pag. 15
5.1) Creating a new HOLIDAY program	pag. 15
5.2) Visualizing or modifying a HOLIDAY program already saved	pag. 16
6 - Deleting a program	pag. 17
7 - «MANUAL» menu	pag. 18
8 - «OPTIONS» menu	pag. 19
8.1) Changing the language	pag. 19
8.2) Setup SET Time	pag. 20
8.3) Maintenance (MAINTEN)	pag. 20
8.3.a) Managing a maintenance operation	pag. 21
8.4) Hour counter	pag. 21
8.5) Backlighting	pag. 22
8.6) Warranty	pag. 22
8.7) Info	pag. 22



IMPORTANT!

The instructions are unique for all models of the same series. The weekly 2-channel model with $\pm 1h$ automatic daylight saving time adjustment is represented in the images below; certain parameters or symbols on the display will not be present when programming the daily 1-channel model without $\pm 1h$ automatic daylight saving time adjustment.



INFORMATION AND SAFETY PRECAUTIONS



It is advisable to read the installation and user instructions carefully and to keep them for future reference. The manufacturer reserves the right to make all the technical and construction changes it deems necessary without prior notice.



Important: the installation, electrical connection and commissioning of devices and equipment must be performed by qualified personnel and in compliance with regulations and applicable laws.



Before starting the installation and maintenance of the device, disconnect the 230V ~ mains power supply

- Do not connect or power the unit if any part is visibly damaged.
- Once installation is complete, inaccessibility to the terminals without the use of special tools must be guaranteed.
- The manufacturer assumes no responsibility concerning the use of products that must comply with specific environmental and/or installation regulations.
- This unit must be intended only for the use for which it was built. Any other use must be considered improper and dangerous.

DISPOSING OF OLD ELECTRICAL AND ELECTRONIC EQUIPMENT



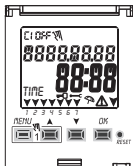
This symbol on the product or on its packaging indicates that this product cannot be treated as household waste. On the contrary, it must be taken to a specific collection centre for recycling electrical and electronic equipment, such as: - outlets, if a similar product to the one being disposed of is being purchased - local collection centres (waste collection centres, local recycling centres, etc.). By making sure the product is disposed of correctly, you will help prevent potential negative consequences for the environment and human health, which could otherwise be caused by inadequate disposal of this product. Recycling materials will help conserve natural resources. For more detailed information about recycling this product, please contact the local office in your area, the household waste disposal service in your area or the shop where you purchased this product.

EN1 - Description of the unit

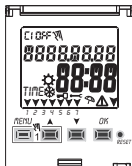
The TIME daily or weekly digital switches with 1 or 2 relay outputs (mono or dual-channel) and models with automatic summer / winter time change, are equipped with a backlit display and programming is easy and intuitive thanks to the browsing by Menu.

They are the ultimate solution to managing loads based on time. Ideally used in domestic buildings, industrial buildings, schools, offices, public areas, etc.

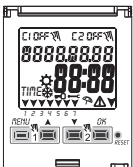
DEVICES - 2 DIN modules



- Daily model
- Weekly model
- 1 channel



- Daily model
- Weekly model
- 1 channel
- Summer / Winter time change (± 1 h Auto)



- Weekly model
- 2 channels
- Summer / Winter time change (± 1 h Auto)

Note: a back panel with optional accessories KIT can be installed for all items.



1.1) Functional characteristics and special features (depending on the model)

- Device dimensions (LxDxH): 35 x 60 x 90 (2 DIN modules)
- Device with daily/weekly programming, guided by menus with the guidelines read on the white backlit display.
- Models with one or two relay control outputs.
- Calendar: year - month - day - hour and minutes.
- Date/time setting with automatic winter/summer time change (prepared models).
- Multilingual menu: Italian - English - German - French - Spanish.
- Memory capacity: 58 ON/OFF programs that are free to be set.
- Minimum ON/OFF 1-second time scheduling
- Programming Time
 - from 1 day to 7 days for days and/or block so days (weekly mode)
 - from 1h to 24h
 - from 1 min to 59 min
 - from 1 sec to 59 sec
- Programming in seconds, ideal for school bell activation or sirens for work start and finish.
- Programming for interventions straddling midnight using a single program.
- Types of programs:
 - Timer (TIME),
 - Holiday (suspension of programs for a preset period of time).
- Possibility of entering 1 or more «Holiday programs», (suspension of Time programs) from a minimum of 1 day to a maximum of 12 months.
- Permanent memory for saving programs.
- Possibility of deleting the selected program rapidly.
- Program/s deletion menu.
- Possibility of permanent or temporary manual override (ON/OFF).
- Scheduled maintenance of the connected loads.
- Hour counter function to monitor the operating hours of the load.
- Warranty menu: view the elapsed time from when the product was connected.
- White backlit display.
- Managing the backlighting of the display: timed at 6 seconds / Fixed ON / Fixed OFF.
- Ecological LITHIUM battery, which can be replaced without removing the device from its seat.
- Charge reserve guaranteed by the lithium battery (replaceable) is about 4/5 years.
- Key lock.
- Hinged and sealable cover.

1.2) FIRST BATTERY INSERTION

Open the battery door to the left ① and insert the battery into its housing with the **positive side facing up** ②.

Close the battery compartment door properly to the right ③.


Connect and activate the 230V power mains (see paragraph 1.4).

Set the required data as described in Chapter 2 - FIRST START-UP.

If the 230V ~ power mains is disconnected, the current date and time are kept updated by the backup battery (replaceable) with a power reserve of approximately 4/5 years.


The language, programs and all previously entered settings are saved in a permanent memory.

1.2.1) LOW BATTERY SIGNAL

When the battery reaches a minimum threshold level and there is a power cut, the display will show **bAtteErY** and the symbol  flashing for a few seconds. To review the message with the display off, briefly press the OK key.

1.2.2) REPLACING THE FLAT BATTERY

• Disconnect the 230V mains.

*Note: the display shows **bAtteErY** and the symbol .*

• Open the battery door to the left ① and insert the battery into its housing with the positive side facing up ②.

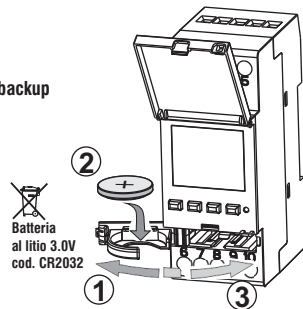
Close the battery compartment door properly to the right ③.

• Re-connect the 230V mains.

Note: the device will save all the previously set data in memory (with the exception of manual overrides).

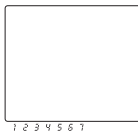
The device displays the screen to select the language.

Press the OK button repeatedly to confirm all the settings saved in the memory until the normal operation main screen appears (display of the status of the channel/s, current date and time).



In the event of a power failure, (e.g. "black-out"), the digital switch:


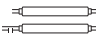
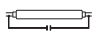

- disables the relay/s;
- switches off the backlighting, if activated;
- displays the flashing date and time for about 5 seconds, then switches to **stand-by** mode (display off). Pressing the OK key reactivates the flashing display for a few seconds.
- When the mains voltage is restored, the device returns to normal operation, keeping in memory all the data programmed previously.



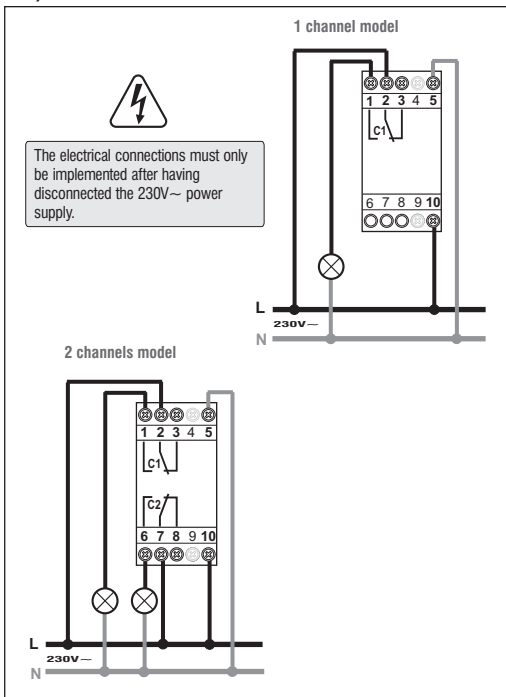
EN 1.3) Technical specifications

Supply voltage	230 V c.a. +/- 10%
Frequency	50 Hz
Output type	1st or 2nd relay with changeover, single-pole, voltage free contact: NO/COM/NC 16 (2)A 250V~
Type of action, disconnection and unit	1 B S U / electronic
Section of the cables to the terminals	1...6mm ²
Replaceable backup battery	3V lithium code CR2032
Power reserve in case of power failure	about 4/5 years from the first start-up, guaranteed by the lithium battery (replaceable)
Rated impulse voltage	4kV
Software	A class
Operating accuracy	+/- 1 sec/day a 25 °C
Consumption/Stand-by consumption	7,5 VA
Protection rating	IP20
Type of insulation	II class <input type="checkbox"/>
Rate of pollution	2
Installation	DIN bar - back panel (with optional kit)
Operating temperature	from -20 °C to +55 °C
Storage temperature	from -30 °C to +60 °C
CE marking regulation	LVD/EMC EN60730-2-7
Languages available in the device	Italian, English, German, French, Spanish

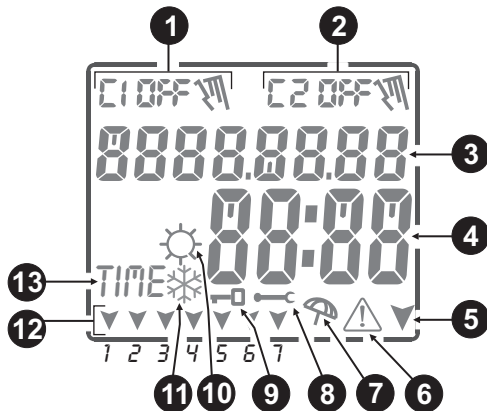
Maximum controllable power

			
2300W	700W	290W (35 μF)	105W (max. 7 lamp. x 15W)

1.4) Electrical connections

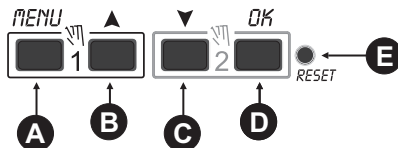


1.5) DISPLAY



- 1** Channel 1 Field (status of relay 1)
- 2** Channel 2 Field (status of relay 2) *only dual-channel mod.*
- 3** Date / Text indication to browse or program
- 4** Hour and Minutes / Menu functions / Parameter values indication
- 5** Browsing arrow (menu or next sub-menu)
- 6** **ATTENTION!** icon
- 7** **Holiday** icon (suspension of programs in progress)
- 8** Icon for the set **Maintenance** of the connected load
- 9** "Keypad lock" icon
- 10** **Summer time** period icon ☀️ (summer changeover) (only prepared models)
- 11** **Winter time** period icon ❄️ (winter changeover) (only prepared models)
- 12** **Day of the week** field (*in daily models only for the current day*)
- 13** **Time programs setting** (TIME)

1.6) KEYS



- A** Access / Exit the menus and sub-menus
- B** Scroll list **upwards** / **increase the value**
- C** Scroll list **downwards** / **decrease the value**
- D** Confirm setting
- E** Reset (no setting entered is deleted - para. 1.6.3)

Note: further details concerning the key functions are described in the specific paragraphs of use.

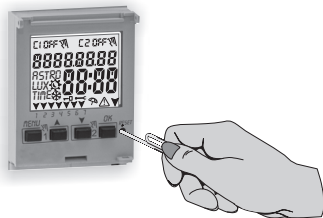
EN 1.6.1) Specific key functions

Any of the functions described below are carried out from the **main screen**

Function	Press the key combination
Lock / unlock keys ()	2 seconds
Access the «Manual» menu directly to enable/disable the temporary or permanent override (see Chapter 7).	for channel 1 for channel 2

1.6.2) Shortcut keys

Function	Press key/s
Immediate exit from the menu or sub-menu	 6 sec. until «---» is displayed, when released, the main screen will be displayed
in the Programs menu, access the first free program that is to be set	 2 seconds
in the Programs menu, quickly deletes the selected program	 press simultaneously for at least 6 seconds



1.6.3) RESET

Reset reboots the time switch and is used in the event of unusual displays or malfunctions. Gently pressing the Reset button with a pointed object the time switch performs a lamp-test, thereby switching on all the segments of the display and then viewing the screen on which the language is selected. Implementing a Reset will lose the keypad lock and any activated manual overrides. All settings are retained: current date and time, programs, data concerning maintenance, hour counter and the warranty.

Reactivate the device from the language selection screen by **pressing the OK button repeatedly** to confirm all the settings saved in the memory until the normal operation main screen appears (display of the status of the channel/s, current date and time).

IMPORTANT! Program the time switch with 230V mains voltage switched on.

IMPORTANT: when programming, the settings made with the keys must be confirmed by pressing the OK key, and when OKAY appears on the display for a few seconds, it indicates that the data have been entered correctly in the permanent memory. Otherwise, after 2 minutes (10 minutes for «program» and «hour counter» settings), the digital switch returns to the "Normal operation" main screen and the partial changes will not be saved.

2 - FIRST START-UP (language selection, entry of current year, month, day, hour and minutes, summer/winter time setting)

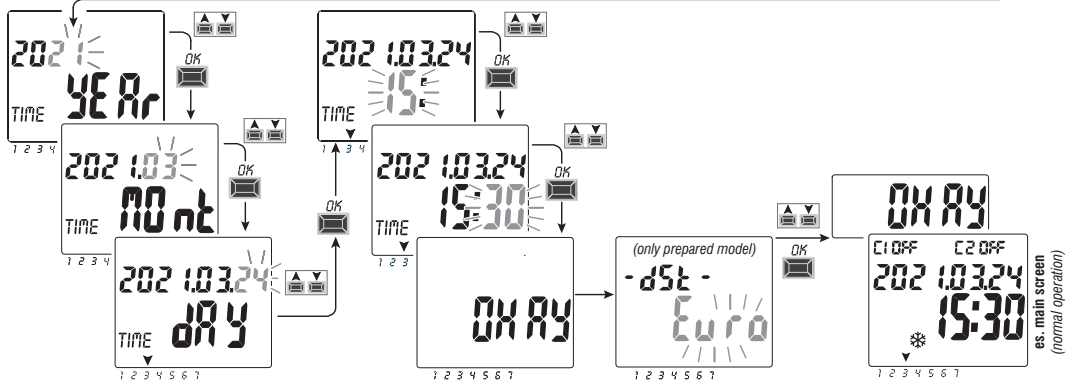
EN

The unit is supplied with default settings. After inserting the battery (see paragraph 1.2) and connecting the power supply, the unit resets the display (lamp-test) and then proceed as follows:

Select/set the data by pressing the ▲▼ keys and press the OK key to confirm and move on to the next field.

- Select the desired language (IT-EN-DE-FR-ES).
- Set the current year, month and day.
- Set the current hour and minutes (keep the ▲ or ▼ keys pressed for the counter to advance rapidly).

The display shows **OKAY** for a few seconds and then displays the screen for the winter/summer time to be set.



Set the summer or winter time. Select whith the ▲▼ keys between **EURO - FREE** (must be programmed) - **NONE** and confirm with **OK**.

Possible selections on the display	Summer changeover +1h (☀ summer time)	Winter changeover -1h (❄ winter time)
EURO = Central Europe UTC+1 (default)	Last Sunday in March	Last Sunday in October
Fr EE	Month / Week / Day / Time freely programmable	Month / Week / Day / Time freely programmable
no nE	None	None

es. main screen
(normal operation)

EN 3 - MENU AND PROGRAMMING

3.1 Menu - overview 5 menus are listed in the sequence present in the unit:

① PROG (Programs)

Number of free programs

- Selection of no. of programs
- Selection of channel (only dual-channel)
- Choice of day / groups of days (Weekly mod. only)
- TIME Program **ON** (start-up) data entry
- TIME Program **OFF**(switch-off) data entry

② ERASE PG (Program deletion)

- Deleting a single program
- Deleting all the programs

③ HOLIDAY

Number of free programs

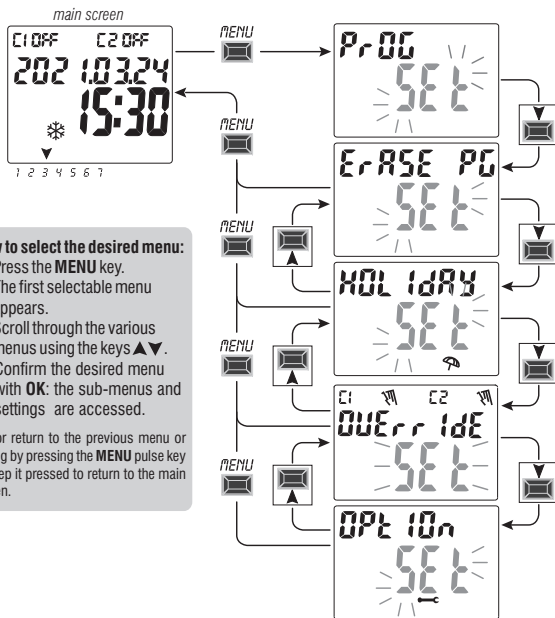
- Selection of no. of programs
- Selection of channel (only dual-channel)
- Setting - **MONTH – DAY OFF**
- Setting - **MONTH – DAY ON**

④ OVERRIDE (relay override)

- Selection of channel (only dual-channel)
- **AUTO**
- **ON PERM** permanent manual
- **OFF PERM** permanent manual
- **ON TEMP** temporary manual
- **OFF TEMP** temporary manual

⑤ OPTION

- Language selection
- TIME settings
- Maintenance
- Hour counter
- LED light (backlighting)
- Warranty
- Info



3.2) Forcing and program priority

A priority is assigned for each type of program/function as shown on the right. The output relay/s will be activated according to the set priorities.

IMPORTANT: all programs (TIME) entered are simultaneously active regardless of their position; in the case of overlapping commands on the same output, this is activated or remains enabled **On** if at least one program is commanding it (OR LOGIC).

MAXIMUM PRIORITY

EN

Permanent or temporary manual override

Holiday Programs

TIME Programs

3.3) Example of programs

Programming example Daily model

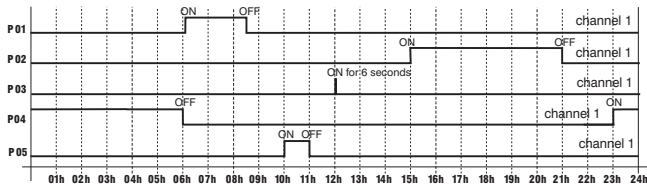
P01 = C1: ON at h 06:05, OFF at h 08:30.

P02 = C1: ON at h 15:00, OFF at h 21:00.

P03 = C1: ON at h 12:00, for 6 seconds.

P04 = C1: ON at h 23:00, OFF at h 06:00 of the next day.

P05 = C1: ON at h 10:00, OFF at h 11:00.



Programming example Weekly model

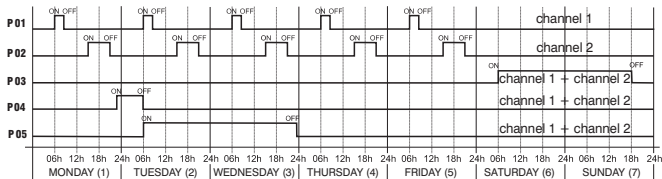
P01 = C1: from Monday to Friday, ON from h 06:05, OFF at h 08:30.

P02 = C2: from Monday to Friday, ON from h 15:00, OFF at h 21:00.

P03 = C1 + C2: ON from h 06:00 on Saturday, OFF from h 18:00 on Sunday.

P04 = C1 + C2: ON from h 23:00 on Monday, OFF from h 06:00 on Tuesday.

P05 = C1 + C2: ON from h 06:00 on Tuesday, OFF from h 23:30 on Wednesday.



EN 4 - «PROG» menu (Programs)

This menu allows you to **create, test, modify and delete** the TIME programs.

4.1) CREATING A NEW TIME PROGRAM

1. Press the **MENU** key to access the first menu (**PROG SET**). Confirm with **OK**.

The number of free programs will be displayed for about 2 seconds, then the first free program available example: **P09** will appear flashing.

2. Select the desired program using the **▲▼** keys. Confirm with **OK**.

• If there are several stored programs, keep the ▲ key pressed for 2 seconds to display the first free program that is to be set.

• Press the keys **▲▼** simultaneously for 2 seconds to rapidly delete the selected program.

i If **Holiday** programs are saved, they are not displayed in this menu.

3. Use **▲▼** keys to select channel C 1 or C 2 or both (only for the dual-channel model). Confirm with **OK**.

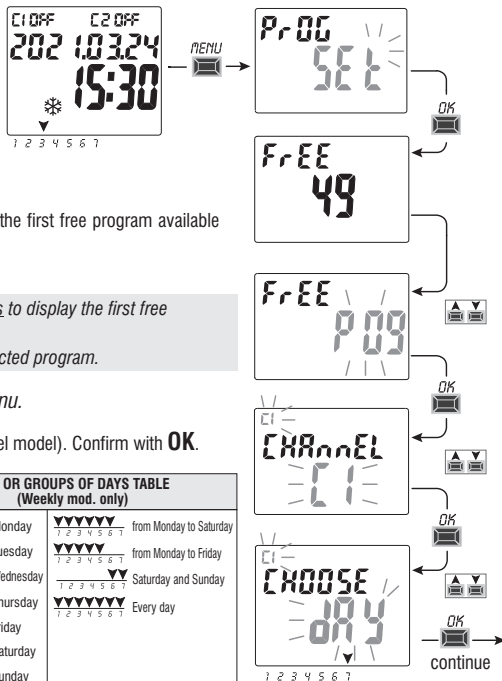
Only for Weekly models:

4. Use the **▲▼** keys to select the **day or groups of days** when the program must start (default: 1 = Monday).

Selected the day or groups of days, arrow/s indicate the one/s chosen (example in the figure on the side: 7 = Sunday).

Confirm with **OK**.

DAY OR GROUPS OF DAYS TABLE (Weekly mod. only)		
▼ 1 2 3 4 5 6 7	Monday	▼▼▼▼▼▼▼ from Monday to Saturday
▼ 1 2 3 4 5 6 7	Tuesday	▼▼▼▼▼ from Monday to Friday
▼ 1 2 3 4 5 6 7	Wednesday	▼▼▼▼▼ Saturday and Sunday
▼ 1 2 3 4 5 6 7	Thursday	▼▼▼▼▼▼▼ Every day
▼ 1 2 3 4 5 6 7	Friday	
▼ 1 2 3 4 5 6 7	Saturday	
▼ 1 2 3 4 5 6 7	Sunday	



TIME ON program:

5. Use the ▲▼ keys to enter the start-up time ON (default 00). Confirm with **OK**.
6. Use the ▲▼ keys to enter the minutes (default 00). Confirm with **OK**.
7. Use the ▲▼ keys to enter the seconds (default 00). Confirm with **OK**.

TIME OFF program:

8. Use the ▲▼ keys to enter the off time (OFF). Confirm with **OK**.
9. Use the ▲▼ keys to enter the minutes. Confirm with **OK**.
10. Use the ▲▼ keys to enter the seconds. Confirm with **OK**.

The display first shows **OKAY** and immediately after the number of free programs left and then the the first free program available.

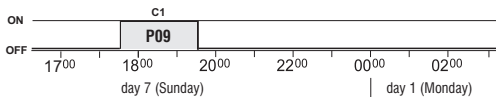
Set a new program or press the **MENU** key to exit.

The display shows the main screen (normal operation).

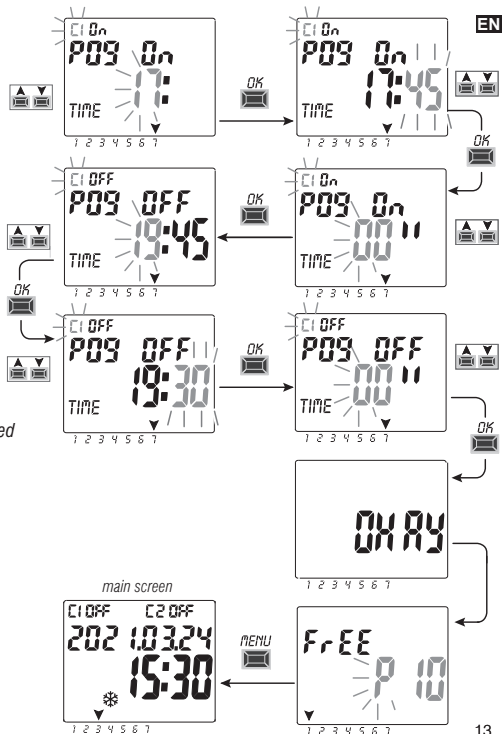
Warning: the same values cannot be entered to program **TIME ON** and **TIME OFF**. If they are, press **OK**, the message **Err** will be displayed for a few seconds and the device will prompt the **TIME OFF** to be edited.

Example: P09 TIME program of channel 1 (C1)

day 7 (Sunday) switch-on ON at 17.30 - switch-off OFF at 19.30



Programming in seconds, ideal for school bell activation or sirens for work start and finish.



EN 4.1.2) Realization of a program with duration beyond midnight

If the ▲ key is pressed beyond 00:00 while setting the switch-off time **OFF**, the program will end on the day after activation; the arrow corresponding to the day after start-up will flash.

Important: it will only be possible to cross midnight by one day.

Important: it will NOT be possible to set a switch-off time earlier than the switch-on time.



4.2) Program memory full warning

IMPORTANT: the device can store up to a maximum of 58 programs.

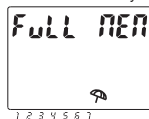
When the memory is full, the display indicates **Free 00**; this message will appear for a few seconds whenever you access the PROG menu or **FULL MEM** whenever you access the **HOLIDAY** menu until you delete some of the stored programs.

If you access the Prog menu:



e.g. display for a few seconds

If you access the Holiday menu:



4.3) Visualizing or modifying a TIME program already saved

You can view or edit a previously saved program as follows (or as described in Chap. 4.1):

1. Press the **MENU** key on the main menu (normal operation) to access the first menu (**PROG SET**). Confirm with **OK**.
2. Select the program that is to be viewed or modified using the ▲▼ keys. Confirm with **OK**.

Press the **OK** key consecutively for the settings to appear again and reconfirm them.

Change a setting by using the ▲▼ keys and confirm with the **OK** key. View or edit all the settings until **OKAY** appears for a few seconds.

Exit the **PROG SET** menu by pressing the **MENU** key.

5 - «HOLIDAY» program menu

This menu allows you to create, test, modify and delete the «HOLIDAY» programs.

The holiday programs allow you to set different periods during the year when to suspend the on/off programs combined with channel 1 and/or 2 (dual-channel mod.), example for Christmas and summer shutdown of a public or sales department.

5.1) Creating a new HOLIDAY program

1. Press the **MENU** key: the first menu is accessed (**PROG SET**).

2. Use the **▲▼** keys to select the **HOLIDAY SET**. Confirm with **OK**.

The number of free programs will be displayed for about 2 seconds, then the first free program will appear flashing if no Holiday program has been entered in the device (example: **P15**).

Use the **▲▼** keys to select the desired free Holiday program. Confirm with **OK**.

• **If there are one or more Holiday programs saved, the display shows the first Holiday program entered; press the **▲** key for 2 seconds to rapidly move to a free Holiday program that is to be set.**

• **Press the **▲▼** keys simultaneously for 2 seconds to rapidly delete the selected program.**

3. Use the **▲▼** keys to select channel **C1** or **C2** or **both** (only for the dual-channel model).

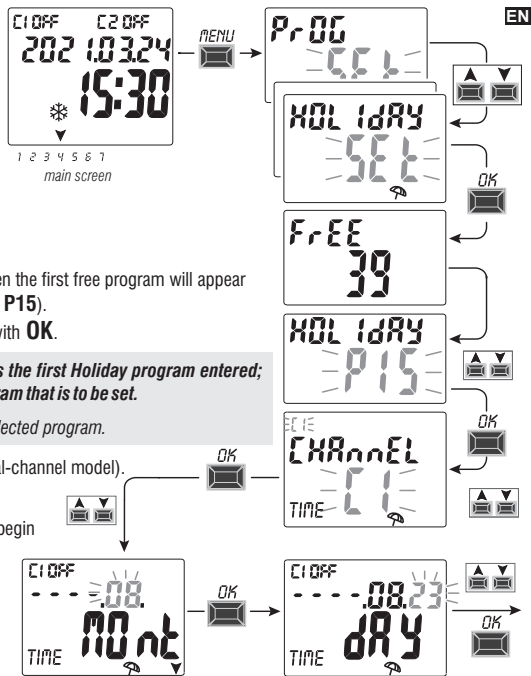
Confirm with **OK**.

4. Use the **▲▼** keys to select the month when program suspension is to begin

(OFF) (the number of the month flashes). Confirm with **OK**.

5. Use the **▲▼** keys to select the day when program suspension is to

begin (OFF) (the number of the day flashes). Confirm with **OK**.

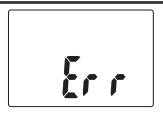


continue

- EN** 6. Use the **▲▼** keys to select the month when program suspension is to be terminated (ON) (the number of the month flashes). Confirm with **OK**.
7. Use the **▲▼** keys to select the day when program suspension is to be terminated (ON) (the number of the day flashes). Confirm with **OK**.

i The suspension end date is the day on which the programs are considered to be active again.

Attention: if the dates set for OFF and ON are the same and **OK** is pressed, **Err** will appear on the display for a few seconds and then returns to step 4 (selection of start month of suspension) and then enter the desired dates.

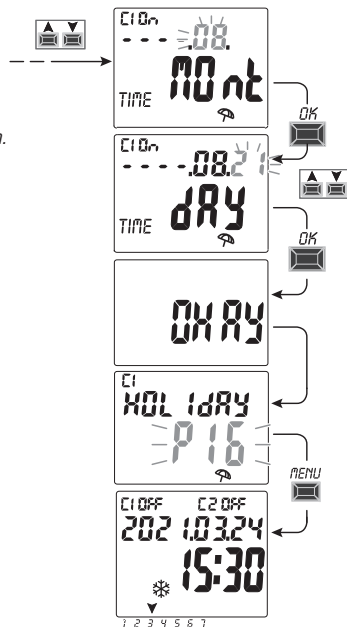
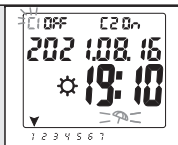


8. After entering the program, the display first shows **OKAY** and immediately after the number of free programs left and then the last set program.
- Set a new holiday program or press the **MENU** key twice to exit and return to the main screen.

*Note: if the set suspension end month (ON) is before the set suspension start month (OFF), the **HOLIDAY** program will start in the current year and will end the following year (useful function to save a program at the end of the year).*

When a Holiday program is active, C1 or C2 or both (depending on the channel(s) affected by the suspension) flash on the main display together with the umbrella icon ☂.

Example in the figure alongside: channel 1 (C1) has been disabled because it is affected by an active Holiday program.



5.2) Visualizing or modifying a HOLIDAY program already saved

Enter the **HOLIDAY SET** menu as described in point 1 on the previous page, select the desired Holiday program with the **▲▼** keys and confirm with **OK**. Press the **OK** key consecutively for the settings to appear again and reconfirm them. Change a setting by using the **▲▼** keys and confirm with the **OK** key. View or edit all the settings until **OKAY** appears for a few seconds. Exit the **HOLIDAY SET** menu by pressing the **MENU** key.

6 - Deleting a program («ERASE PG» menu)


1. Press the **MENU** key to access the first menu (**PROG SET**).
2. Use the **▲▼** keys to select the **ERASE PG SET** menu.
Confirm with **OK**.
3. The display shows the **ERASE PG SING** screen to delete a single program or use the **▲▼** keys to select **ERASE PG ALL** to delete all the saved programs (including the **HOLIDAY** programs possibly saved).

4a. If **ERASE PG SING** is selected, confirm with **OK**.

Use the **▲▼** keys to select the program that is to be deleted.

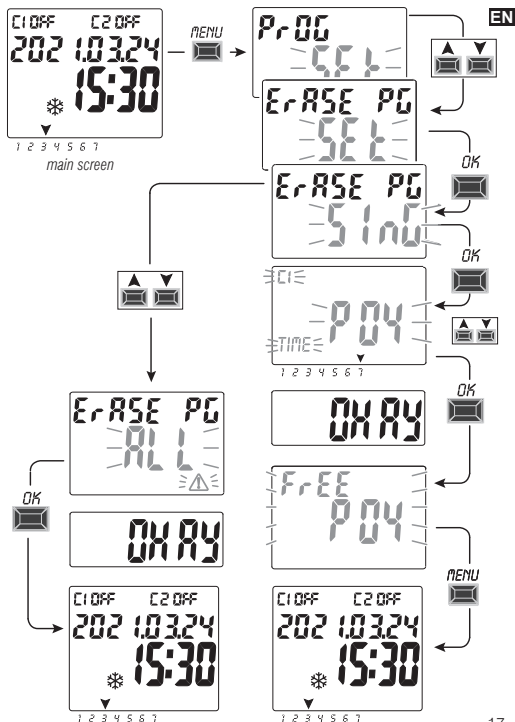
Confirm with **OK**; the program will be deleted.

Another program can be deleted or press the **MENU** key 3 times to exit and view the main screen.

*Note: if the selected program that is to be deleted is a **HOLIDAY** program, the icon  will appear under the program number.*

- ### 4b. If you choose **ERASE PG ALL**, and confirm with **OK** all the programs will be deleted from the memory (the flashing icon indicates that attention must be paid because this operation will delete all the programs and will no longer be recoverable).

After a few seconds **OKAY** appears on the display and then the normal operation main screen.



EN 7 - «**VERRIDE**» menu

This menu allows you to **manually force** the status of the outputs/s (dual-channel mod.) regardless of the active programs. Generally used to test or perform maintenance of the connected load.

Activating an override

1. Press the **MENU** key to access the first menu (**PROG SET**).
2. Use the **▲▼** keys to select the **VERRIDE SET**. Confirm with **OK**.
3. Use the **▲▼** keys to select channel C1 or C2 (dual-channel mod.).
Confirm with **OK**.
4. Use the **▲▼** keys to select the override mode (according to that indicated in the table). Confirm with **OK**. **OKAY** appears for a few seconds and then the display will show the selected setting.

5. **Disable the manual override** by setting channels

C1 and/or C2 (dual-channel mod.) to **AUTO**. Confirm with **OK**.

*Note: you can access directly from the main screen to the **VERRIDE** menu of channel C1 by pressing simultaneously the **MENU**+**▲** and the **VERRIDE** menu of channel C2 by pressing the **OK**+**▼** keys simultaneously.*

6. Exit and return to the home screen by pressing the **MENU** key three times.

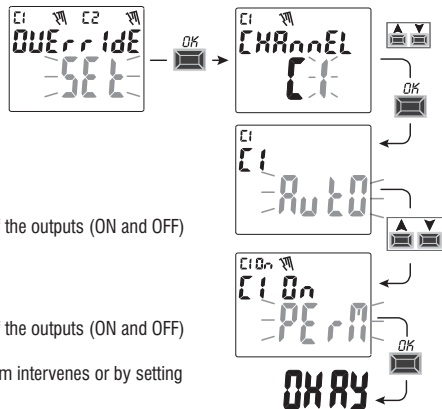
Permanent manual override (PERM)

This mode has the highest priority. This allows you to manually override the status of the outputs (ON and OFF) **permanent** regardless of that required by the saved programs. Disable the manual override permanently by setting the channel/s to **AUTO**.

Temporary manual override (TEMP)

This mode has the highest priority. This allows you to manually override the status of the outputs (ON and OFF) **temporary** regardless of that required by the saved programs. The temporary manual override is automatically disabled when the first saved program intervenes or by setting the channel/s to **AUTO**.

Override mode	Display symbol	Channel-Condition	Override function
AUTO		C1 C2	No override on the channel, program-controlled
PERM	⚡	C1 On C2 On	Activated permanent channel
PERM	⚡	C1 OFF C2 OFF	Disabled permanent channel.
TEMP	⚡	C1 On C2 On	Activated channel until any program intervenes .
TEMP	⚡	C1 OFF C2 OFF	Channel disabled until any program intervenes .



8 - «OPTION» menu

The following is possible from this menu:

- Language selection
- TIME setting
- Maintenance
- Hour counter
- LED light (backlighting)
- Warranty
- Info

1. Press the **MENU** key to access the first menu (**PROG SET**).
2. Use the **▲▼** keys to select the **OPTION SET**. Confirm with **OK**.
3. The sub-menu is accessed.

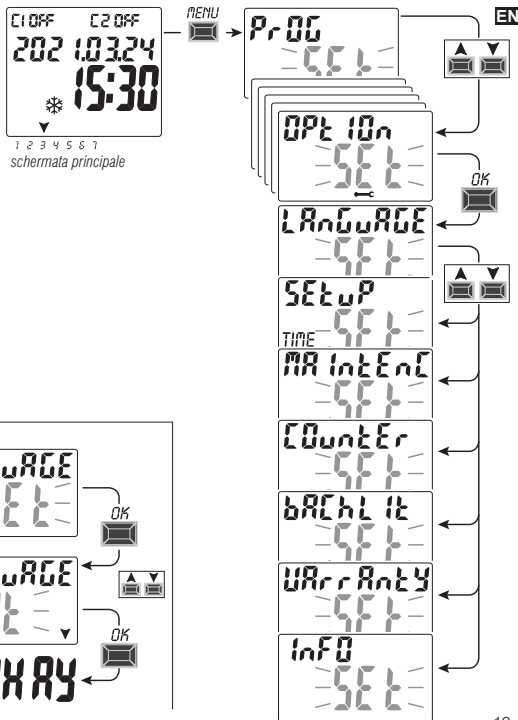
Proceed as described below according to the selected sub-menu.

8.1) CHANGING THE LANGUAGE

1. From the **LANGUAGE SET**, confirm with **OK**.
2. Use the **▲▼** keys to select the desired language from
IT -> EN -> DE -> FR -> ES

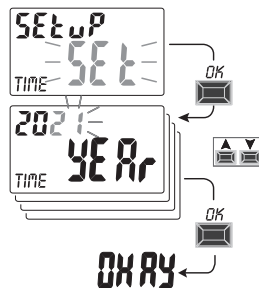
Confirm with **OK**. **OKAY** appears on the display.

3. Exit and return to the home screen by pressing the **MENU** key three times.



EN 8.2) TIME SET-UP

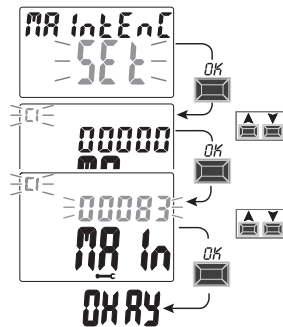
1. From the **SETUP SETTIME** sub-menu confirm with **OK**.
2. You can edit the data concerning:
 - current year, month, day, hour, minutes currents
 - summer or winter time (only models prepared)as described in chapter 2 - «First start-up».
3. When you finish editing or viewing the data, confirm with **OK**, and **OKAY** appears on the display for a few seconds followed by the modified **SETUP SET TIME**.
4. Exit and return to the home screen by pressing the **MENU** key twice



8.3) MAINTENANCE (MAINTENC)

This function allows you to set an ON operating period for each channel, after which the digital switch indicates that maintenance is required on the device connected to the relevant channel.

1. From the **MAINTENC SET** sub-menu confirm with **OK**.
2. Use the **▲▼** keys to select the desired channel from **C1** or **C2** (dual-channel model).
Confirm with **OK**.
3. Use the **▲▼** keys to set the maintenance frequency (in hours).
(press the **▲** key or **▼** pulse key to increase or decrease individually and keep pressed to increase or decrease in tens).
4. Confirm with **OK** and **OKAY** appears on the display for a few seconds.
5. Exit and return to the home screen by pressing the **MENU** key three times.



continue

8.3.a) Managing a maintenance operation

- Once the operating hours set for one or both channels (dual-channel model) are reached, **MAINTEN** will appear on the main screen in cyclic repetition alternating with the current **DATE** (example in the figure at the side: channel 1 in Maintenance).
 - In this condition you can override the status of the outputs (from the **MANUAL** menu) and manage the maintenance intervention.
 - Eliminate the maintenance alert from the main screen by:
 - keeping the ▲ key pressed for 3 seconds to reset the alarm of channel C1,
 - keeping the ▼ key pressed for 3 seconds to reset the alarm of channel C2 (dual-channel model).
- This will reset the channel and the count of the hours set starts from the beginning.

Attention: when the **MAINTENC** text is deleted, the counter is automatically rebooted and the count starts again.

Attention: if you change the maintenance interval any partial count already taken will be lost.

Disabling the «Maintenance» function

In order not to use the **MAINTENANCE** function, set the counter to zero for channel C1 and/or C2 (dual-channel model).

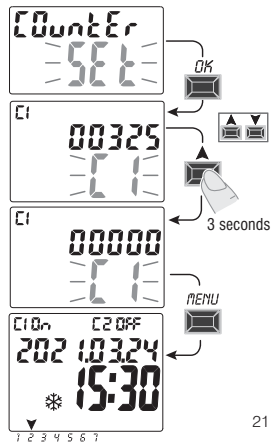
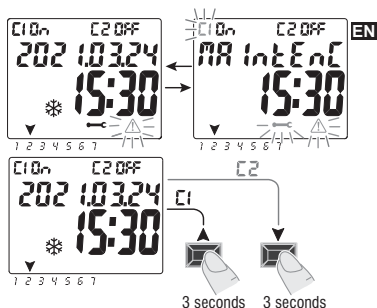
8.4) HOUR COUNTER

This feature allows you to view and reset the count of operating hours in ON for channel 1 and/or channel 2 (dual-channel mod.). This is useful to monitor the life of the load/device connected to the channel.

1. From the **COUNTER SET** sub-menu confirm with **OK**.
2. Use the ▲▼ keys to select the desired channel from **C1** or **C2** (dual-channel model).
The operating hours of the selected channel will be displayed.

Reset the hour counter:

3. Use the ▲▼ keys to select the desired channel from **C1** or **C2** (dual-channel model).
4. **Press the key corresponding to the selected channel for 3 seconds** (the number of the hour flashes):
 - key ▲ for channel C1
 - key ▼ for channel C2 (only for the dual-channel model)
5. The count is reset.
6. Exit and return to the home screen by pressing the **MENU** key three times.

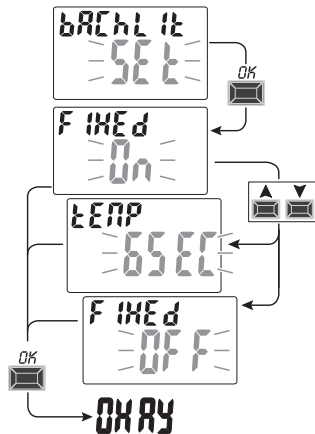


8.5) BACKLIGHTING

This function allows you to set the display backlighting in three modes:

- **Timed** = on for 6 seconds after a key is pressed.
- **Fixed ON** = always on (default)
- **Fixed OFF** = always off

1. From the **BACHLIT SET** sub-menu confirm with **OK**.
2. Use the ▲▼ keys to select the desired setting. Confirm with **OK**.
OKAY appears on the display for a few seconds.
3. Exit and return to the home screen by pressing the **MENU** key 2 times.

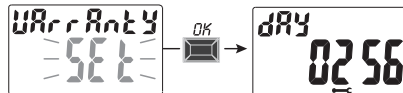


8.6) WARRANTY

This function allows the elapsed time (in days) to be displayed from when the product is commissioned.

This data is useful in terms of its warranty.

1. From the **WARRANTY SET** sub-menu confirm with **OK**.
2. The days elapsed since the product was commissioned are displayed.
3. Exit and return to the home screen by pressing the **MENU** key three times.



8.7) INFO

This feature allows you to view information about the version of software installed on the product.

1. From the **INFO SET** sub-menu confirm with **OK**.
2. Information about the version of software is displayed.
3. Exit and return to the home screen by pressing the **MENU** key three times.

